



100amp Three Phase 7 Mod Din-Rail MID B Approved Electronic Meter

Specification

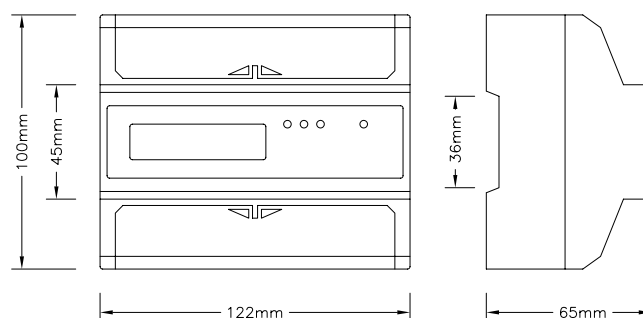
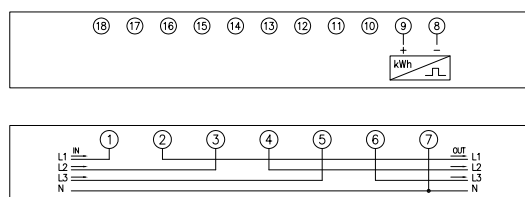
Product Code	ACEU0230
Voltage	400V
Current	100A
Accuracy Class	Class B
Standard	MID B+D EN50470-1/3 M16
Frequency	50Hz
Impulse Constant	1000imp/kWh
Display Mode	LCD 6+1 = 999999.9kWh
Power Consumption	≤2W
Temperature Range	-25 to 55°C
Impulse Indication	Flashing red
Annual Average Humidity	75%
Conformity	CE
Casing	Fire retardant
Mounting	Din rail



Please Note

The meter case is sealed for internal component protection and must not be opened. Opening the case may invalidate the warranty.

Meter Wiring



Tel: 01205 724754

Email: rolec@rolecserv.co.uk

Web: www.rolecserv.com